

StorePak Offload Station

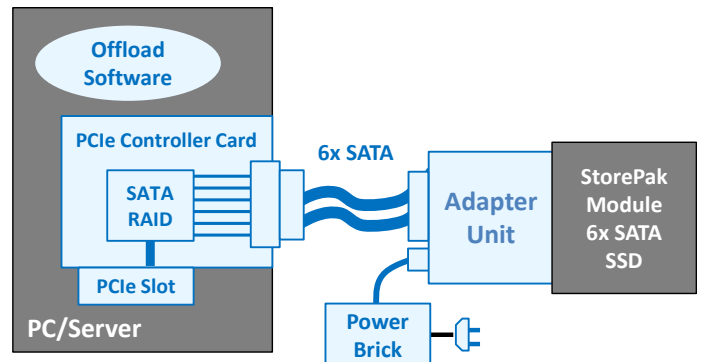
SOS-6 Offload Station: Controller Card, Adapter Unit, and Offload Software

StorePak Offload Station

The SOS-6 StorePak offload station allows 6U StorePak removable SSD modules to be connected to a PC or server for offload of data from the StorePak. The offload station includes a PCIe controller board, adapter unit, cables, power supply and offload software.

Offload Controller and Adapter Unit

The Offload RAID Controller is a standard PCIe plug-in card. The card hosts a SATA/RAID controller, and plugs into a PCIe x8 motherboard slot. The controller connects to an adapter unit using the included cables. StorePak removable SSD modules then plug directly into the adapter unit.



StorePak Offload Software (DAS mode)

The most common StorePak usage model is as Direct Attached Storage that is directly managed by the user's SBC and O/S. For this use model the offload PC/Server must use a O/S version that is compatible with that which was originally used to write data to the StorePak. Offload of hardware RAID 0, 1, and 10 are supported. *Note that when a hardware RAID is offloaded it must be recreated when the StorePak is reinstalled in a StorePak VPX carrier.*

SOS-6 Features:

- Standard PCIe x8 plug-in card controller
- Adapter unit connects directly to StorePak
- Offload Station software for recorder data offload
- Linux and Windows driver support
- Up to 500 MB/s offload rate

StorePak Offload Software (Recorder mode)

A second StorePak usage model is as part of a high performance data recorder controlled by StoreEngine recording software. For this use model the StorePak Recorder Offload Software is also installed on the offload PC/Server. This software is used to view and/or offload files that have been recorded on the StorePak.



Secure Erase

For both use models a secure erase of the StorePak storage may be initiated to free SSD space and restore optimal performance.

The SOS-6 StorePak Offload Station includes a controller card, adapter unit, cables, and software. (StorePak and PC/Server are not included)

Technical Specifications

Controller Card	
Physical	Low profile PCIe x8 add-in card (2.7" x 6.6")
Power (PCIe slot)	+12V, +3.3V, 10W
SATA Interfaces	6x SATA 3.0 Gbps
Adapter Unit	
Physical	1.2" x 4" x 5"
Connectors	2x SFF-8088 SATA, 1x StorePak, 1x power
Cable Length	2M (included)
Power Supply	Power brick style, input voltage 110VAC, 1.0A maximum (included)
Software O/S Support	
Controller Driver (all modes)	Linux 2.x, 3.x, 4.x, Windows
Offload Software (recorder mode)	Linux 3.x, 4.x
Offload Rate	up to 500 MB/s
Operating Temperature	10C to 40C ambient (office/lab environment)
Model Number	SOS-6